





# DRILL GUIDE

## INSTRUCTIONS FOR PRINTING DRILL GUIDE

⊕ Turret --- drill size is 3/32"

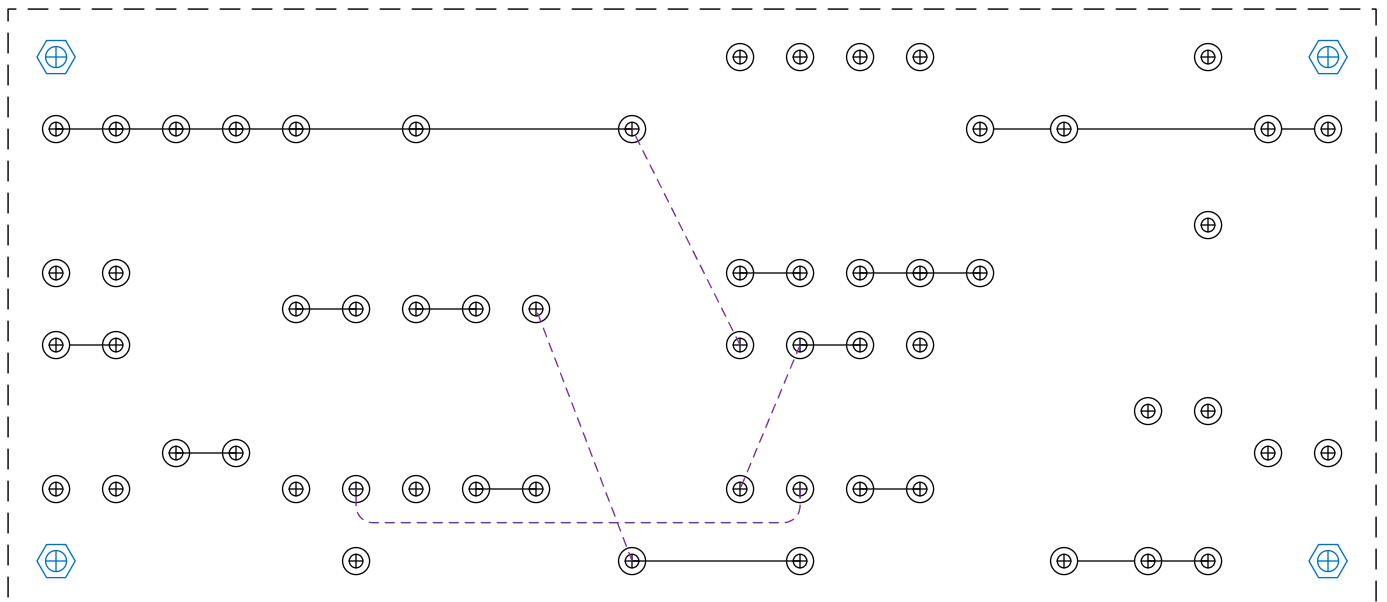
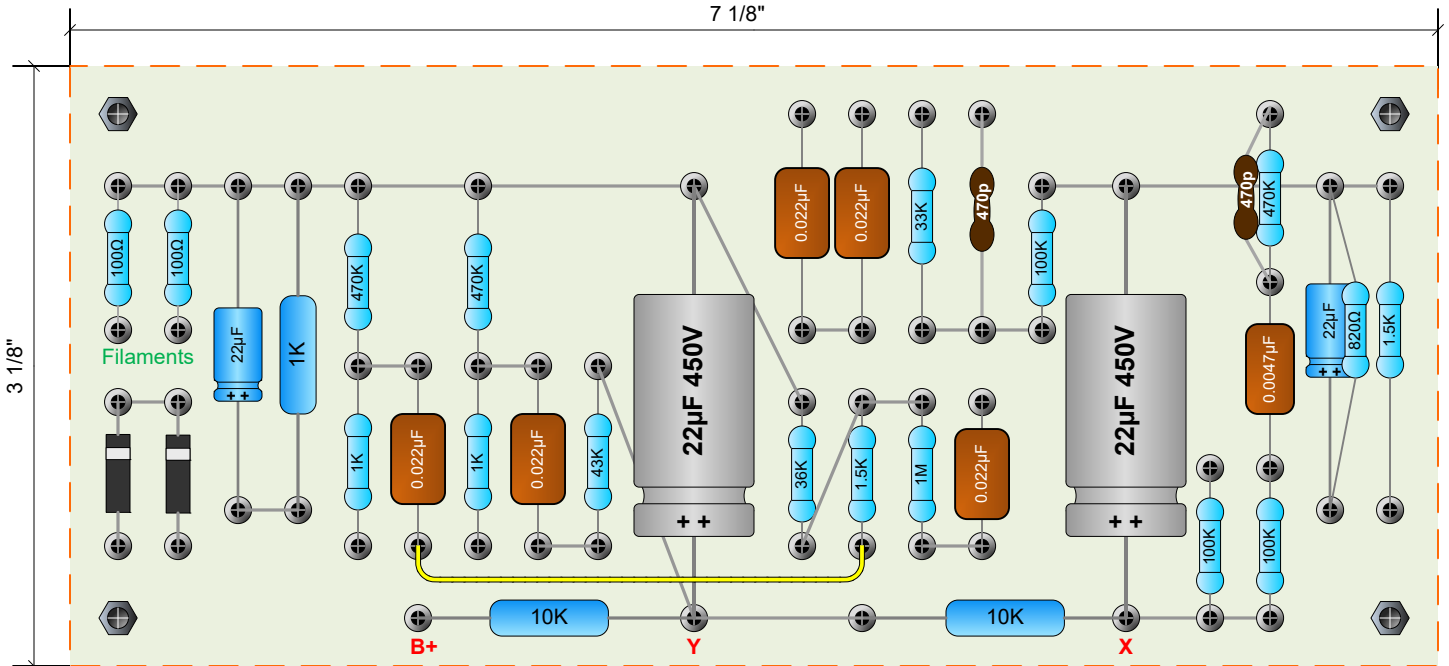
⊕ Standoff – drill size to fit

⊕ Hole for wire pass thru – drill size to fit

----- Dashed lines are underboard jumpers (not necessary but looks better)

**NOTE...** This drawing contains layers. Turn off any layers that you don't want to print.

Board size is 3-1/8" X 7-1/8". Print this drill guide FULL SIZE on letter sized paper. Use one template as a drill guide. The other template will be used for installing jumpers. Measure the board length of the printout to verify it is 7-1/8". Attach to blank board using double sided carpet tape. Use a center punch to put a mark at the cross hairs of each turret, standoff, and hole. Use a 3/32" drill bit to drill all holes. Then enlarge holes as needed for screws and wire pass thru.



# MAINS WIRING

